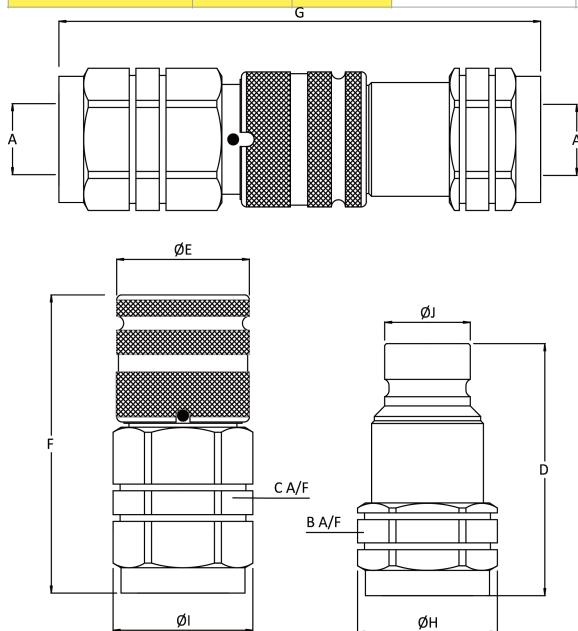


FF Series Dimensions

Body Size	ISO	Inch	Thread Size	B	C	D	ØE	F	G	ØH	ØI	ØJ
FF DN06	6.3	1/4"	1/4"	22	27	53.8	28	54.3	97	24	29	16.2
FF DN10	10	3/8"	3/8"	27	30	60.2	31.8	69.3	113.3	29	32	19.7
FF DN10	10	3/8"	1/2"	27	30	63.2	31.8	74.2	121.5	29	32	19.7
FF DN12	12.5	1/2"	1/2"&3/4"	36	36	71.2	37.8	83.7	137.7	40	40	24.5
FF DN16	16	3/4"	3/4"	36	41	73.1	42	83.9	139.8	38.5	45.1	27
FF DN19	19	5/8"	1"	46	46	84	45.5	99	161.6	50.3	50.2	30
FF DN25	25	1"	1-1/4"	55	55	90.4	55	106.2	173.3	59.7	59.7	36
FF DN30	31.5	1-1/4"	1-1/2"	70	70	119.8	79	118.5	209.5	77	79	57
FF DN38	38	1-1/2"	2"	80	80	173.4	103	145.5	282.3	106.2	106.2	72.9



Dimension: mm

1. The detail dimensions can check in the ISO standard [ISO16028](#)
2. The body size designation corresponds to the nominal size of the hose recommended for use with the coupling, see [ISO 4397](#)
3. Diameter ØJ can be a good dimension for users to distinguish the size of the flat face quick coupling, measuring this dimension to help you choose the right replacement couplers.
4. The thread options NPT, BSPP and special requirement.