

CVVS Series

Stainless steel general purpose screw connect couplers made to the ISO 14541 Standard dimensions

Introduction

AKJia's CVVS Series stainless steel screw connect couplers are designed primarily for high pressure pulse applications. They incorporate all the benefits of the carbon steel CVV Series, while being perfectly suited for corrosive fluids and environments.

Construction

- AISI 316 stainless steel (All components)
- Fitted with Viton seals FKM (Other seals available on request)
- Also available in carbon steel (See CVV Series)

Features

- Screw connect design eliminates brinelling
- Modular construction enables numerous thread and connection options
- Can be connected with up to 50 bar residual pressure in the hydraulic circuit
- Bidirectional flow

Application

- Hydraulic jacks
- Marine
- Oil and gas agricultural industries.

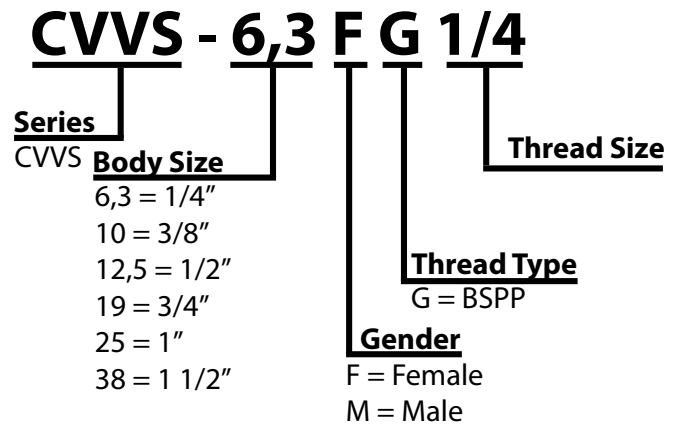


Specifications

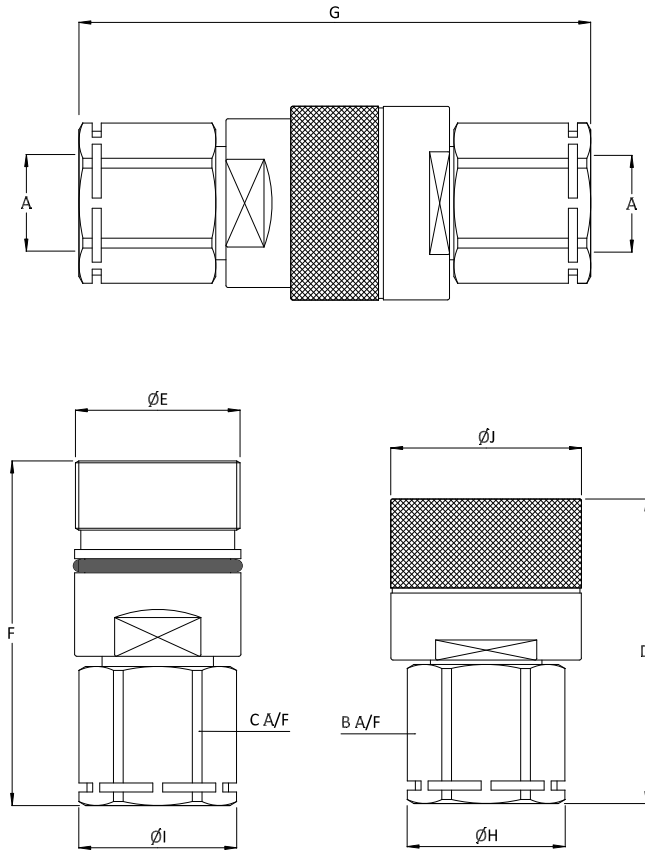
Seal Material	Min. Temp		Max. Temp	
FKM (Viton) seals	-20°C	-4°F	200°C	392°F



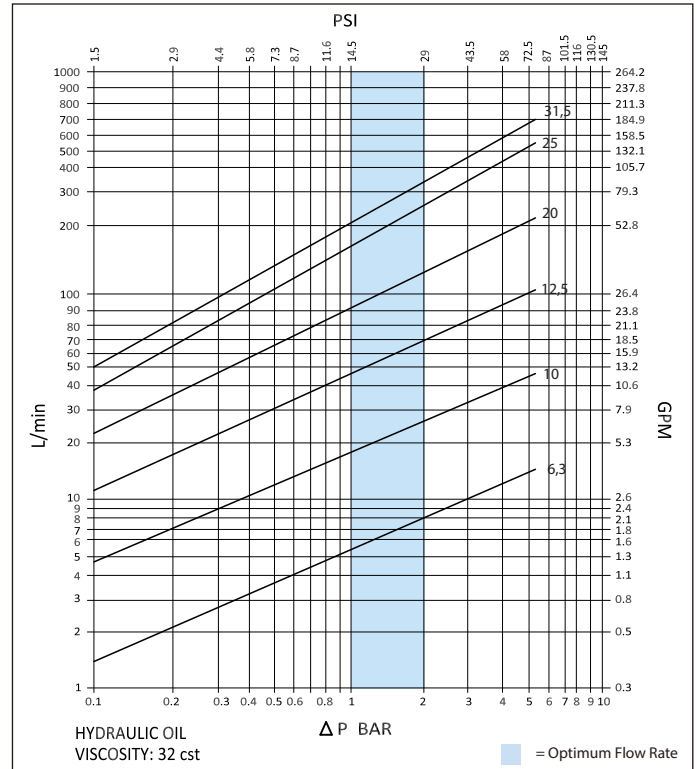
Product Number Naming Rules



Drawing



Pressure Drop Characteristics



Size	Thread Size (A)	B	C	D	ØE	F	G	ØH	ØI	ØJ	Maximum Working Pressure	Burst Pressure (coupled)	Burst Pressure (Male)	Burst Pressure (Female)
		Dimensions in mm									Bar			
		Dimensions in inches									Psi			
CVVS-6,3	1/4"	19	19	58	M24x2	59	92	21.3	21.3	30	300	900	950	900
		0.7	0.7	2.3		2.3	3.6	0.8	0.8	1.2	4350	13050	13775	13050
CVVS-10	3/8"	22	22	62	M28x2	64.5	100	24	24	34	300	900	900	900
		0.9	0.9	2.4		2.5	3.9	0.9	0.9	1.3	4350	13050	13050	13050
CVVS-12,5	1/2"	30	30	63	M36x2	67	102	34	34	42	250	750	800	750
		1.2	1.2	2.5		2.6	4	1.3	1.3	1.7	3625	10875	11600	10875
CVVS-19	3/4"	36	36	75	M42x2	82	136	41	41	48	250	750	800	750
		1.4	1.4	3		3.2	5.4	1.6	1.6	1.9	3625	10875	11600	10875
CVVS-25	1"	41	41	78.5	M48x3	95	138	47	47	55	200	650	700	650
		1.6	1.6	3.1		3.7	5.4	1.9	1.9	2.2	2900	9425	10150	9425
CVVS-38	1 1/4"	60	60	107	M70x3	116	187	68	68	70	150	450	480	450
		2.4	2.4	4.2		4.6	7.4	2.7	2.7	2.8	2175	6525	6960	6525
CVVS-38	1 1/2"	60	60	107	M70x3	116	187	68	68	70	150	450	480	450
		2.4	2.4	4.2		4.6	7.4	2.7	2.7	2.8	2175	6525	6960	6525