

Camlock Coupler

Hose-to-Hose or Hose-to-pipe quick coupling

Introduction

Camlock couplings are manufactured worldwide according to the American "military specification" MIL-C-27487. This American standard fixes the coupling side in a limited way, but not the connection side.

The Camlock Quick Couplings are used for hose-to-hose or hose-to-pipe / manifold connections for the transfer of liquids or dry bulk products.

Cam & groove couplings must never be used for steam or compressed air applications.

Construction

- Brass, Aluminium alloys, Stainless Steel body material options
- NBR-Gasket working at -20°C to +65°C

Features

- Cam loking couplings serve as the link between hoses and connections to transport liquids, solids and gases, except liquid gas and steam.
- The couplings are capable of operating of operating the pressure range 0.8 bar to 16 bar working pressure.
- Aluminium-cast-materials working pressure 0.8 bar to 10 bar.
- Suitable to operate without using any tools.

Application

- Cam loking couplings serve as the link between hoses and connections to transport liquids, solids and gases, except liquid gas and steam industrial,



Thread Type For CAM Coupling

CAM Standard	Male	Female	Thread Standard
A-A-59326	NPT	NPT	ANSI/ASME B1.20.1
EN 14420-7	BSPT	BSP	EN 10226-1
DIN 2828	BSPT	BSP	EN ISO 228-1

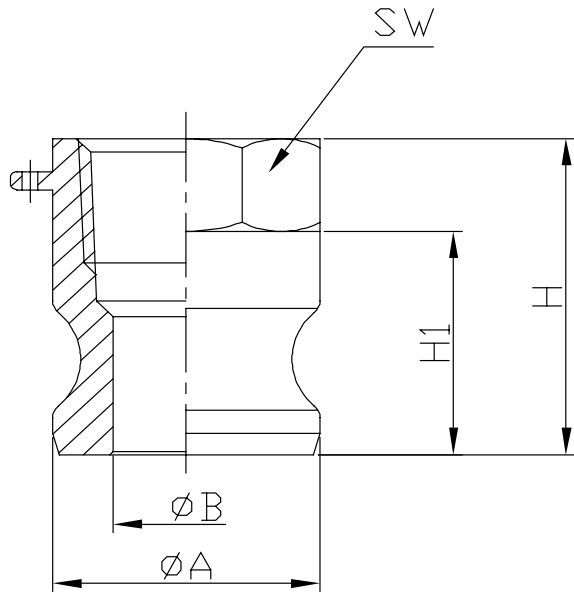
Working Pressure

Size	1/2"-2"	2 1/2"	3"	4"	5"	6"	8"
Working Pressure	psi	psi	psi	psi	psi	psi	psi
Brass	250	150	125	100	75	75	-
Bronze	250	150	125	100	-	-	-
Aluminium	250	150	125	100	75	75	50
Stainless Steel	250	150	125	100	75	75	50
Polypropylene	100	-	50	50	-	-	-

Gasket Material

Camlock Flat	Gasket seal	Thread Gasket
Aluminum	NBR	NBR
Stainless steel	NBR	PTFE
Brass	NBR	PU
PP	EPDM	NBR

Part A



DN	A	B	H	H1	SW
1/2"	24.3	14.4	38	25	25.5
3/4"	32	21.2	38	28	33
1"	36.7	23.8	46.5	33.5	41
1 1/4"	45.5	28.6	55	40	48
1 1/2"	53.4	36	58.5	42.5	56
2"	63	45.5	62.3	47.5	67.5
2 1/2"	75.7	56.4	68	50	83
3"	91.5	73.5	70	51	96.5
4"	119.5	100	76	53	124
6"	169	147	74.6	56.3	182



Size	NPT	BSPT
1/2"	AL-F-050A-NPT	AL-F-050A-BSPT
3/4"	AL-F-075A-NPT	AL-F-075A-BSPT
1"	AL-F-100A-NPT	AL-F-100A-BSPT
1.1/4"	AL-F-125A-NPT	AL-F-125A-BSPT
1.1/2"	AL-F-150A-NPT	AL-F-150A-BSPT
2"	AL-F-200A-NPT	AL-F-200A-BSPT
2.1/2"	AL-F-250A-NPT	AL-F-250A-BSPT
3"	AL-F-300A-NPT	AL-F-300A-BSPT
4"	AL-F-400A-NPT	AL-F-400A-BSPT
5"	AL-F-500A-NPT	AL-F-500A-BSPT
6"	AL-F-600A-NPT	AL-F-600A-BSPT



Size	NPT	BSPT
1/2"	BR-F-050A-NPT	BR-F-050A-BSPT
3/4"	BR-F-075A-NPT	BR-F-075A-BSPT
1"	BR-F-100A-NPT	BR-F-100A-BSPT
1.1/4"	BR-F-125A-NPT	BR-F-125A-BSPT
1.1/2"	BR-F-150A-NPT	BR-F-150A-BSPT
2"	BR-F-200A-NPT	BR-F-200A-BSPT
2.1/2"	BR-F-250A-NPT	BR-F-250A-BSPT
3"	BR-F-300A-NPT	BR-F-300A-BSPT
4"	BR-F-400A-NPT	BR-F-400A-BSPT
5"	BR-F-500A-NPT	BR-F-500A-BSPT
6"	BR-F-600A-NPT	BR-F-600A-BSPT

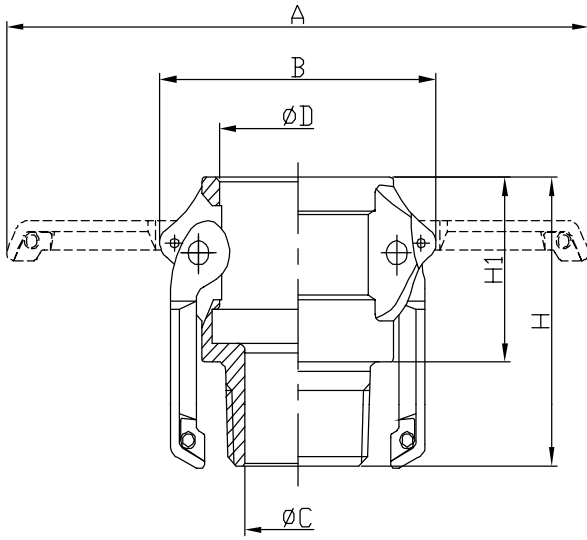


Size	NPT	BSPT
1/2"	SS-F-050A-NPT	SS-F-050A-BSPT
3/4"	SS-F-075A-NPT	SS-F-075A-BSPT
1"	SS-F-100A-NPT	SS-F-100A-BSPT
1.1/4"	SS-F-125A-NPT	SS-F-125A-BSPT
1.1/2"	SS-F-150A-NPT	SS-F-150A-BSPT
2"	SS-F-200A-NPT	SS-F-200A-BSPT
2.1/2"	SS-F-250A-NPT	SS-F-250A-BSPT
3"	SS-F-300A-NPT	SS-F-300A-BSPT
4"	SS-F-400A-NPT	SS-F-400A-BSPT
5"	SS-F-500A-NPT	SS-F-500A-BSPT
6"	SS-F-600A-NPT	SS-F-600A-BSPT



Size	NPT
1/2"	PP-050A-NPT
3/4"	PP-075A-NPT
1"	PP-100A-NPT
1.1/4"	PP-125A-NPT
1.1/2"	PP-150A-NPT
2"	PP-200A-NPT
2.1/2"	-
3"	PP-300A-NPT
4"	PP-400A-NPT
5"	-
6"	-

Part B



DN	A	B	C	D	H	H1
1/2"	107	48.7	14.8	25.1	48	31
3/4"	115	57	21.2	32.4	49	30
1"	137	65.6	25	37.3	61	39
1.1/4"	183	77	28	46	68	46
1.1/2"	191	85	39	54	70.5	48
2"	201	96	50	63.7	78.7	53
2.1/2"	213	110.4	58	76.5	86	58
3"	267	133	73.2	92.2	89	58
4"	296	166	97	120.2	97	63
5"	299	189	127	146	95.3	57.3
6"	398	230.5	153.8	176.5	110.2	64.5



Size	NPT	BSPT
1/2"	AL-F-050B-NPT	AL-F-050B-BSPT
3/4"	AL-F-075B-NPT	AL-F-075B-BSPT
1"	AL-F-100B-NPT	AL-F-100B-BSPT
1.1/4"	AL-F-125B-NPT	AL-F-125B-BSPT
1.1/2"	AL-F-150B-NPT	AL-F-150B-BSPT
2"	AL-F-200B-NPT	AL-F-200B-BSPT
2.1/2"	AL-F-250B-NPT	AL-F-250B-BSPT
3"	AL-F-300B-NPT	AL-F-300B-BSPT
4"	AL-F-400B-NPT	AL-F-400B-BSPT
5"	AL-F-500B-NPT	AL-F-500B-BSPT
6"	AL-F-600B-NPT	AL-F-600B-BSPT



Size	NPT	BSPT
1/2"	BR-F-050B-NPT	BR-F-050B-BSPT
3/4"	BR-F-075B-NPT	BR-F-075B-BSPT
1"	BR-F-100B-NPT	BR-F-100B-BSPT
1.1/4"	BR-F-125B-NPT	BR-F-125B-BSPT
1.1/2"	BR-F-150B-NPT	BR-F-150B-BSPT
2"	BR-F-200B-NPT	BR-F-200B-BSPT
2.1/2"	BR-F-250B-NPT	BR-F-250B-BSPT
3"	BR-F-300B-NPT	BR-F-300B-BSPT
4"	BR-F-400B-NPT	BR-F-400B-BSPT
5"	BR-F-500B-NPT	BR-F-500B-BSPT
6"	BR-F-600B-NPT	BR-F-600B-BSPT

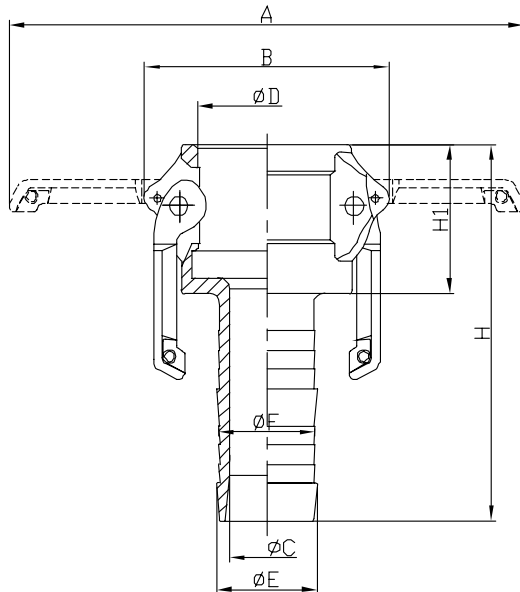


Size	NPT	BSPT
1/2"	SS-F-050B-NPT	SS-F-050B-BSPT
3/4"	SS-F-075B-NPT	SS-F-075B-BSPT
1"	SS-F-100B-NPT	SS-F-100B-BSPT
1.1/4"	SS-F-125B-NPT	SS-F-125B-BSPT
1.1/2"	SS-F-150B-NPT	SS-F-150B-BSPT
2"	SS-F-200B-NPT	SS-F-200B-BSPT
2.1/2"	SS-F-250B-NPT	SS-F-250B-BSPT
3"	SS-F-300B-NPT	SS-F-300B-BSPT
4"	SS-F-400B-NPT	SS-F-400B-BSPT
5"	SS-F-500B-NPT	SS-F-500B-BSPT
6"	SS-F-600B-NPT	SS-F-600B-BSPT



Size	NPT
1/2"	PP-050B-NPT
3/4"	PP-075B-NPT
1"	PP-100B-NPT
1.1/4"	PP-125B-NPT
1.1/2"	PP-150B-NPT
2"	PP-200B-NPT
2.1/2"	-
3"	PP-300B-NPT
4"	PP-400B-NPT
5"	-
6"	-

Part C



DN	A	B	C	D	E	F	H	H1
1/2"	107	48.7	8	25.1	15	13	72	31
3/4"	115	57	13.6	32.4	20.7	19.4	80	30
1"	137	65.6	20	37.3	27	25.8	99	39
1.1/4"	183	77	25.8	46	33.9	32.9	110	46
1.1/2"	191	85	31.3	54	40.5	38.6	114	48
2"	201	96	43.8	63.7	52	51	129	53
2.1/2"	213	110.4	55.7	76.5	66.8	64	151	58
3"	267	133	68	92.2	79	70	160	58
4"	296	166	92	120.2	104.8	94	176	63
6"	380	213	144.1	136	146	146	210	64.4



Size	Part No.
1/2"	AL-F-050C
3/4"	AL-F-075C
1"	AL-F-100C
1.1/4"	AL-F-125C
1.1/2"	AL-F-150C
2"	AL-F-200C
2.1/2"	AL-F-250C
3"	AL-F-300C
4"	AL-F-400C
5"	AL-F-500C
6"	AL-F-600C
8"	AL-F-800C
10"	AL-F-1000C



Size	Part No.
1/2"	BR-F-050C
3/4"	BR-F-075C
1"	BR-F-100C
1.1/4"	BR-F-125C
1.1/2"	BR-F-150C
2"	BR-F-200C
2.1/2"	BR-F-250C
3"	BR-F-300C
4"	BR-F-400C
5"	BR-F-500C
6"	BR-F-600C

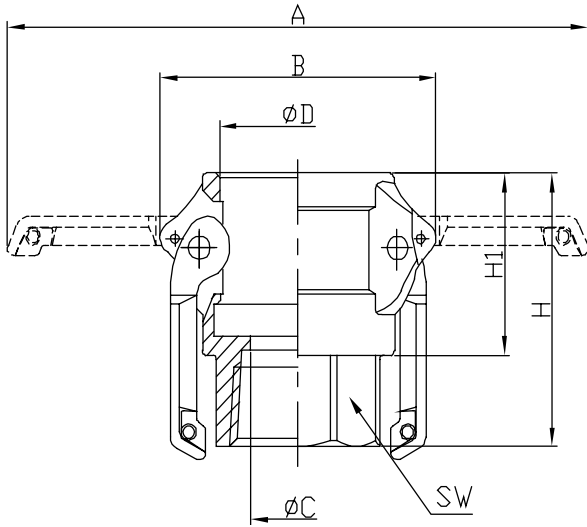


Size	NPT
1/2"	SS-F-050C
3/4"	SS-F-075C
1"	SS-F-100C
1.1/4"	SS-F-125C
1.1/2"	SS-F-150C
2"	SS-F-200C
2.1/2"	SS-F-250C
3"	SS-F-300C
4"	SS-F-400C
5"	SS-F-500C
6"	SS-F-600C



Size	Part No.
1/2"	PP-050C
3/4"	PP-075C
1"	PP-100C
1.1/4"	PP-125C
1.1/2"	PP-150C
2"	PP-200C
2.1/2"	-
3"	PP-300C
4"	PP-400C
5"	-
6"	-

Part D



DN	A	B	C	D	H	H1	SW
1/2"	107	48.7	17.4	25.1	49	31	25.5
3/4"	115	57	20	32.4	50	30	32
1"	137	65.6	26	37.3	60	39	38.5
1-1/4"	183	77	34.5	46	66	46	48
1-1/2"	191	85	40	54	70.5	48	55.5
2"	201	96	50	63.7	76	53	67
2-1/2"	213	110.4	61	76.5	82	58	82
3"	267	133	75	92.2	86	58	94.2
4"	296	166	100	120.2	92	63	127
6"	423	255	145	214	117	80	



Size	NPT	BSPT
1/2"	AL-F-050D-NPT	AL-F-050D-BSPT
3/4"	AL-F-075D-NPT	AL-F-075D-BSPT
1"	AL-F-100D-NPT	AL-F-100D-BSPT
1.1/4"	AL-F-125D-NPT	AL-F-125D-BSPT
1.1/2"	AL-F-150D-NPT	AL-F-150D-BSPT
2"	AL-F-200D-NPT	AL-F-200D-BSPT
2.1/2"	AL-F-250D-NPT	AL-F-250D-BSPT
3"	AL-F-300D-NPT	AL-F-300D-BSPT
4"	AL-F-400D-NPT	AL-F-400D-BSPT
5"	AL-F-500D-NPT	AL-F-500D-BSPT
6"	AL-F-600D-NPT	AL-F-600D-BSPT



Size	NPT	BSPT
1/2"	BR-F-050D-NPT	BR-F-050D-BSPT
3/4"	BR-F-075D-NPT	BR-F-075D-BSPT
1"	BR-F-100D-NPT	BR-F-100D-BSPT
1.1/4"	BR-F-125D-NPT	BR-F-125D-BSPT
1.1/2"	BR-F-150D-NPT	BR-F-150D-BSPT
2"	BR-F-200D-NPT	BR-F-200D-BSPT
2.1/2"	BR-F-250D-NPT	BR-F-250D-BSPT
3"	BR-F-300D-NPT	BR-F-300D-BSPT
4"	BR-F-400D-NPT	BR-F-400D-BSPT
5"	BR-F-500D-NPT	BR-F-500D-BSPT
6"	BR-F-600D-NPT	BR-F-600D-BSPT

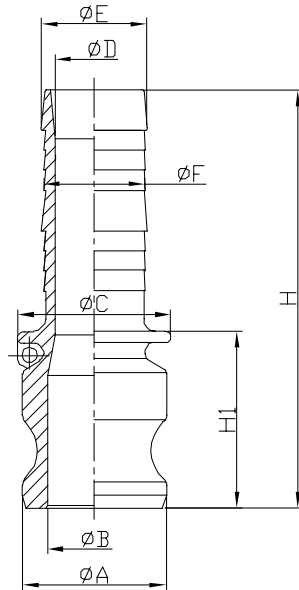


Size	NPT	BSPT
1/2"	SS-F-050D-NPT	SS-F-050D-BSPT
3/4"	SS-F-075D-NPT	SS-F-075D-BSPT
1"	SS-F-100D-NPT	SS-F-100D-BSPT
1.1/4"	SS-F-125D-NPT	SS-F-125D-BSPT
1.1/2"	SS-F-150D-NPT	SS-F-150D-BSPT
2"	SS-F-200D-NPT	SS-F-200D-BSPT
2.1/2"	SS-F-250D-NPT	SS-F-250D-BSPT
3"	SS-F-300D-NPT	SS-F-300D-BSPT
4"	SS-F-400D-NPT	SS-F-400D-BSPT
5"	SS-F-500D-NPT	SS-F-500D-BSPT
6"	SS-F-600D-NPT	SS-F-600D-BSPT



Size	NPT
1/2"	PP-050D-NPT
3/4"	PP-075D-NPT
1"	PP-100D-NPT
1.1/4"	PP-125D-NPT
1.1/2"	PP-150D-NPT
2"	PP-200D-NPT
2.1/2"	-
3"	PP-300D-NPT
4"	PP-400D-NPT
5"	-
6"	-

Part E



DN	A	B	C	D	E	F	H	H1
1/2"	24.3	14.4	30	8	15	13	76	35
3/4"	32	21.2	33	13.6	20.7	19.4	87	37
1"	36.7	23.8	39	20	27	25.8	104	44
1-1/4"	45.5	28.6	48	25.8	33.9	32.9	115	51
1-1/2"	53.4	36	56	31.3	40.5	38.6	118	52
2"	63	45.5	66	43.8	52	51	132	56
2-1/2"	75.7	55.7	80	55.7	66.8		156	64
3"	91.5	73.2	101	68	79		169	66
4"	119.5	91	130	92	104.8		180	68



Size	Part No.
1/2"	AL-F-050E
3/4"	AL-F-075E
1"	AL-F-100E
1.1/4"	AL-F-125E
1.1/2"	AL-F-150E
2"	AL-F-200E
2.1/2"	AL-F-250E
3"	AL-F-300E
4"	AL-F-400E
5"	AL-F-500E
6"	AL-F-600E
8"	AL-F-800E
10"	AL-F-1000E



Size	Part No.
1/2"	BR-F-050E
3/4"	BR-F-075E
1"	BR-F-100E
1.1/4"	BR-F-125E
1.1/2"	BR-F-150E
2"	BR-F-200E
2.1/2"	BR-F-250E
3"	BR-F-300E
4"	BR-F-400E
5"	BR-F-500E
6"	BR-F-600E

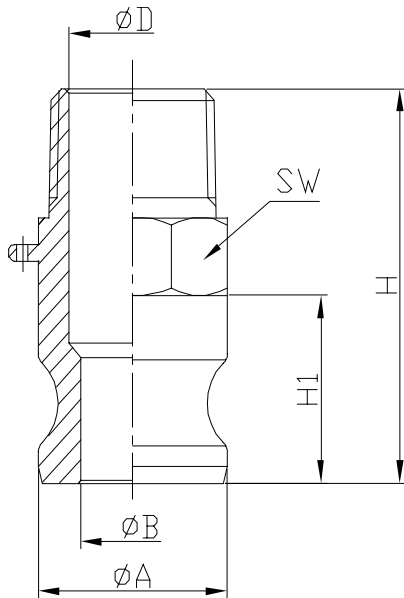


Size	NPT
1/2"	SS-F-050E
3/4"	SS-F-075E
1"	SS-F-100E
1.1/4"	SS-F-125E
1.1/2"	SS-F-150E
2"	SS-F-200E
2.1/2"	SS-F-250E
3"	SS-F-300E
4"	SS-F-400E
5"	SS-F-500E
6"	SS-F-600E



Size	Part No.
1/2"	PP-050E
3/4"	PP-075E
1"	PP-100E
1.1/4"	PP-125E
1.1/2"	PP-150E
2"	PP-200E
2.1/2"	-
3"	PP-300E
4"	PP-400E
5"	-
6"	-

Part F



DN	A	B	D	H	H1
1/2"	24.3	14.4	25	56	25
3/4"	32	21.2	28	56	28
1"	36.7	23.8	33.5	69	33.5
1-1/4"	45.5	28.6	40	77	40
1-1/2"	63.4	36	42.5	80	42.5
2"	63	45.5	47.5	89	47.5
2-1/2"	75.7	56.4	50	98	50
3"	91.5	73.2	51	101	51
4"	119.5	100	53	114	53
5"	145.4	123.2	54.9	142.9	45.9
6"	176	149	83	127	83



Size	NPT	BSPT
1/2"	AL-F-050F-NPT	AL-F-050F-BSPT
3/4"	AL-F-075F-NPT	AL-F-075F-BSPT
1"	AL-F-100F-NPT	AL-F-100F-BSPT
1.1/4"	AL-F-125F-NPT	AL-F-125F-BSPT
1.1/2"	AL-F-150F-NPT	AL-F-150F-BSPT
2"	AL-F-200F-NPT	AL-F-200F-BSPT
2.1/2"	AL-F-250F-NPT	AL-F-250F-BSPT
3"	AL-F-300F-NPT	AL-F-300F-BSPT
4"	AL-F-400F-NPT	AL-F-400F-BSPT
5"	AL-F-500F-NPT	AL-F-500F-BSPT
6"	AL-F-600F-NPT	AL-F-600F-BSPT



Size	NPT	BSPT
1/2"	BR-F-050F-NPT	BR-F-050F-BSPT
3/4"	BR-F-075F-NPT	BR-F-075F-BSPT
1"	BR-F-100F-NPT	BR-F-100F-BSPT
1.1/4"	BR-F-125F-NPT	BR-F-125F-BSPT
1.1/2"	BR-F-150F-NPT	BR-F-150F-BSPT
2"	BR-F-200F-NPT	BR-F-200F-BSPT
2.1/2"	BR-F-250F-NPT	BR-F-250F-BSPT
3"	BR-F-300F-NPT	BR-F-300F-BSPT
4"	BR-F-400F-NPT	BR-F-400F-BSPT
5"	BR-F-500F-NPT	BR-F-500F-BSPT
6"	BR-F-600F-NPT	BR-F-600F-BSPT

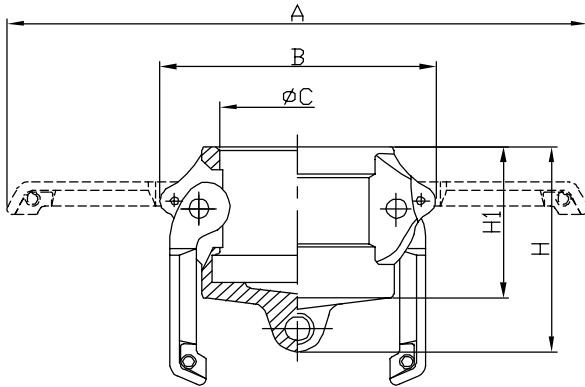


Size	NPT	BSPT
1/2"	SS-F-050F-NPT	SS-F-050F-BSPT
3/4"	SS-F-075F-NPT	SS-F-075F-BSPT
1"	SS-F-100F-NPT	SS-F-100F-BSPT
1.1/4"	SS-F-125F-NPT	SS-F-125F-BSPT
1.1/2"	SS-F-150F-NPT	SS-F-150F-BSPT
2"	SS-F-200F-NPT	SS-F-200F-BSPT
2.1/2"	SS-F-250F-NPT	SS-F-250F-BSPT
3"	SS-F-300F-NPT	SS-F-300F-BSPT
4"	SS-F-400F-NPT	-
5"	-	-
6"	-	-



Size	NPT
1/2"	PP-050F-NPT
3/4"	PP-075F-NPT
1"	PP-100F-NPT
1.1/4"	PP-125F-NPT
1.1/2"	PP-150F-NPT
2"	PP-200F-NPT
2.1/2"	-
3"	PP-300F-NPT
4"	PP-400F-NPT
5"	-
6"	-

Part DC



DN	A	B	C	H	H1
1/2"	107	48.7	25.1	40	30
3/4"	115	57	32.4	40	30
1"	137	65.6	37.3	53	39
1-1/4"	183	77	46	61	46
1-1/2"	191	85	54	64	48
2"	201	96	63.7	68	53
2-1/2"	213	110.4	76.5	82	58
3"	267	133	92.2	83	58
4"	296	166	120.2	93	63
6"	409	255	198	98.7	68



Size	Part No.
1/2"	AL-F-050DC
3/4"	AL-F-075DC
1"	AL-F-100DC
1.1/4"	AL-F-125DC
1.1/2"	AL-F-150DC
2"	AL-F-200DC
2.1/2"	AL-F-250DC
3"	AL-F-300DC
4"	AL-F-400DC
5"	AL-F-500DC
6"	AL-F-600DC

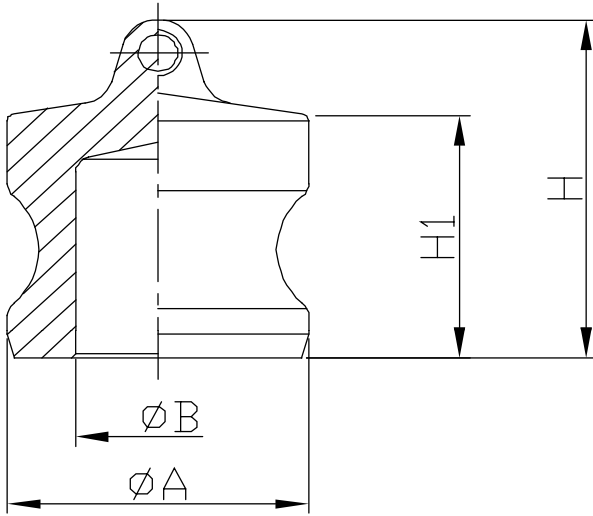


Size	Part No.
1/2"	BR-F-050DC
3/4"	BR-F-075DC
1"	BR-F-100DC
1.1/4"	BR-F-125DC
1.1/2"	BR-F-150DC
2"	BR-F-200DC
2.1/2"	BR-F-250DC
3"	BR-F-300DC
4"	BR-F-400DC
5"	BR-F-500DC
6"	BR-F-600DC



Size	Part No.
1/2"	SS-F-050DC
3/4"	SS-F-075DC
1"	SS-F-100DC
1.1/4"	SS-F-125DC
1.1/2"	SS-F-150DC
2"	SS-F-200DC
2.1/2"	SS-F-250DC
3"	SS-F-300DC
4"	SS-F-400DC
5"	SS-F-500DC
6"	SS-F-600DC

Part DP



DN	A	B	H	H1
1/2"	24.3	14.4	35	26
3/4"	32	21.2	36	25
1"	36.7	23.8	44.5	30.5
1-1/4"	45.5	28.6	52.7	37.7
1-1/2"	53.4	36	53.7	38.7
2"	63	45.5	57.8	42.8
2-1/2"	75.7	56.4	71	46
3"	91.5	73.2	72	46
4"	119.5	100	76	50
6"	175	153	72	55.4



Size	Part No.
1/2"	AL-F-050DP
3/4"	AL-F-075DP
1"	AL-F-100DP
1.1/4"	AL-F-125DP
1.1/2"	AL-F-150DP
2"	AL-F-200DP
2.1/2"	AL-F-250DP
3"	AL-F-300DP
4"	AL-F-400DP
5"	AL-F-500DP
6"	AL-F-600DP



Size	Part No.
1/2"	BR-F-050DP
3/4"	BR-F-075DP
1"	BR-F-100DP
1.1/4"	BR-F-125DP
1.1/2"	BR-F-150DP
2"	BR-F-200DP
2.1/2"	BR-F-250DP
3"	BR-F-300DP
4"	BR-F-400DP
5"	BR-F-500DP
6"	BR-F-600DP



Size	Part No.
1/2"	SS-F-050DP
3/4"	SS-F-075DP
1"	SS-F-100DP
1.1/4"	SS-F-125DP
1.1/2"	SS-F-150DP
2"	SS-F-200DP
2.1/2"	SS-F-250DP
3"	SS-F-300DP
4"	SS-F-400DP
5"	SS-F-500DP
6"	SS-F-600DP