

IBS Series

Stainless steel ISO B couplers made to the ISO 7241:2023 Series B Standard dimensions

Introduction

AKJia's IBS Series stainless steel ISO B couplers incorporate all the benefits of the carbon steel IB Series couplers, while being perfectly suited for corrosive fluids and environments.

Construction

- AISI 304 stainless steel and AISI 316 Available
- Fitted with Viton seals - FKM (Other seals available on request)
- Also available in brass (See IBB Series)
- Also available in carbon steel (See IB Series)

Features

- Poppet valves have balanced springs
- Locking ball system allows for quick connection
- Bidirectional flow

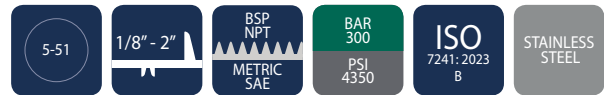
Application

- Corrosive fluids and environments
- Marine
- Oil and gas
- Chemical
- Pharmaceutical
- Nuclear

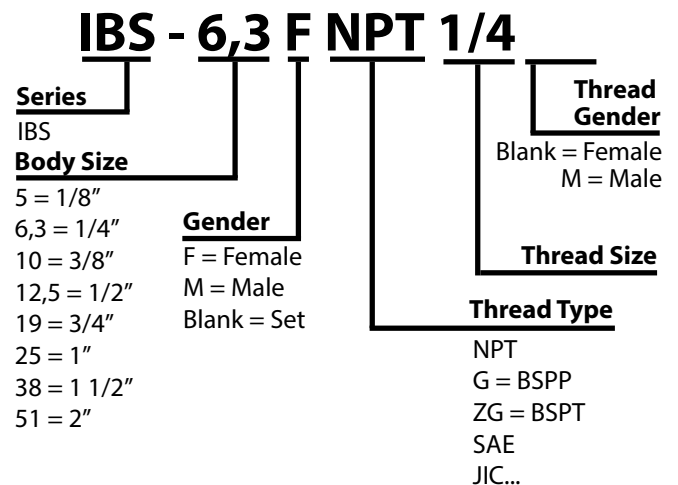


Specifications

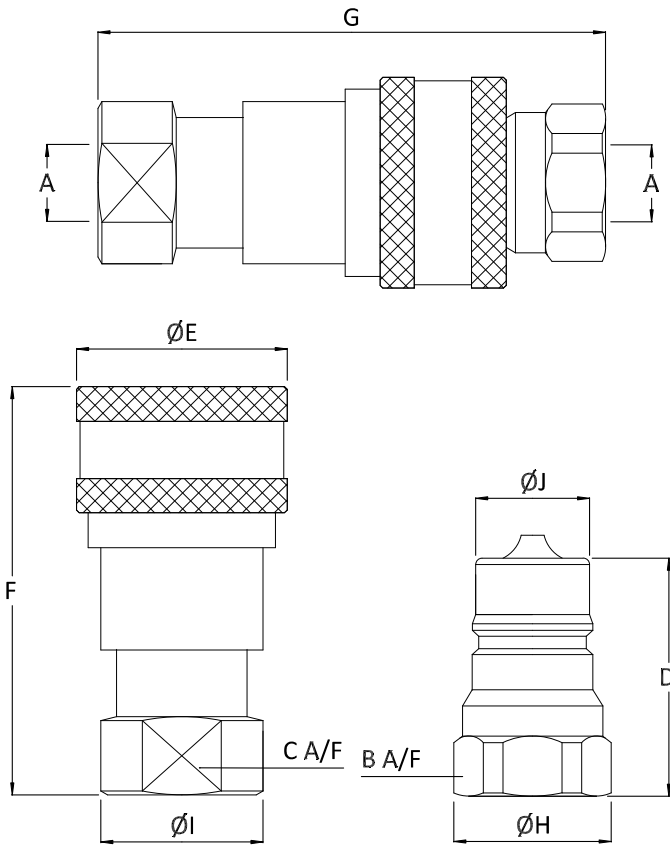
Seal Material	Min. Temp		Max. Temp	
FKM (Viton) seals	-20°C	-4°F	200°C	392°F



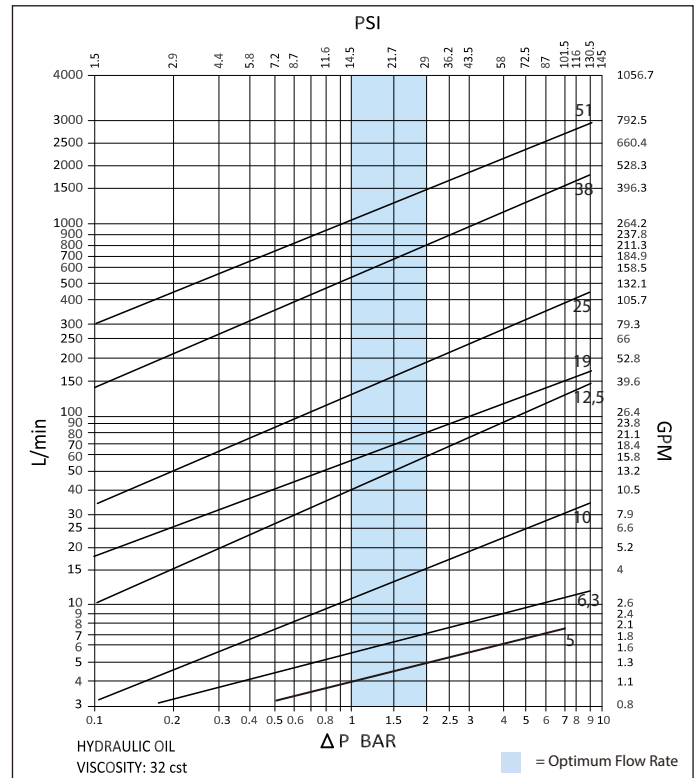
Product Number Naming Rules



Drawing



Pressure Drop Characteristics



Size	Thread Size (A)	B	C	D	ØE	F	G	ØH	ØI	ØJ	Maximum Working Pressure	Burst Pressure (coupled)	Burst Pressure (Male)	Burst Pressure (Female)
		Dimensions in mm									Bar			
		Dimensions in inches									Psi			
IBS-5	1/8"	14	14	31	24	50	62	15.8	15.8	11	300	900	1000	900
		0.6	0.6	1.2	0.9	2	2.4	0.6	0.6	0.4	4350	13050	14500	13050
IBS-6,3	1/4"	19	19	36	28	57	72	21.5	21.5	14	300	900	950	900
		0.7	0.7	1.4	1.1	2.2	2.8	0.8	0.8	0.6	4350	13050	13775	13050
IBS-10	3/8"	22	24	39	35	64	78	24.5	27	19	250	750	850	750
		0.9	0.9	1.5	1.4	2.5	3.1	1	1.1	0.7	3625	10875	12325	10875
IBS-12,5	1/2"	27	30	45.5	42	73	91	30	33	23.5	250	750	800	750
		1.1	1.2	1.8	1.7	2.9	3.6	1.2	1.3	0.9	3625	10875	11600	10875
IBS-19	3/4"	34	36	53.5	51.5	87	107	38	41	31.5	250	750	800	750
		1.3	1.4	2.1	2	3.4	4.2	1.5	1.6	1.2	3625	10875	11600	10875
IBS-25	1"	41	41	63	60	102	125	46	45	38	200	600	650	600
		1.6	1.6	2.5	2.4	4	4.9	1.8	1.8	1.5	2900	8700	9425	8700