

HSC Series

Heavy duty screw connect couplers Holmbury Reflex 5000 DNP PVR Series

Introduction

AKJia's HSC Series heavy screw connect couplers are designed for heavy-duty, high pressure pulse applications. They are built to withstand the most severe pressure pulses, where other couplers may fail, due to the design preventing the movement of internal components.

Construction

- Carbon steel with trivalent plating
- Fitted with Nitrile seals (NBR)
- Available only with BSPP threads

Features

- Screw connect design eliminates brinelling
- Bidirectional flow
- Once connected all internal parts are held rigid which significantly reduces fatigue of the poppet, spring and coupler body
- Can be connected and disconnected under pressure
- All internal components are replaceable
- Supplied with caps and plugs to protect threads and limit inclusion of contaminant

Application

- Hammer circuits
- Shears, rock crushers, test rigs and other intense pressure pulse applications

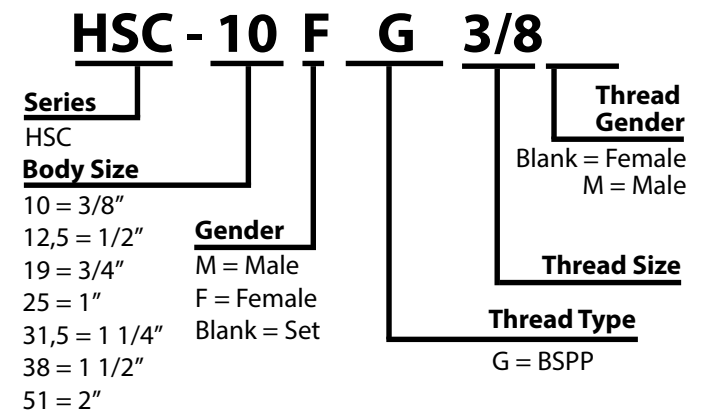


Specifications

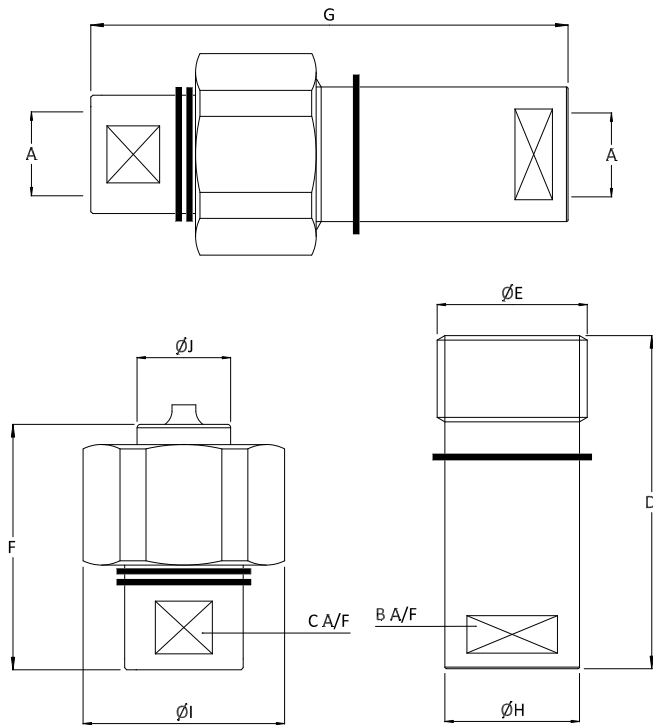
Seal Material	Min. Temp		Max. Temp	
Nitrile seals*	-40°C	-40°F	106°C	223°F



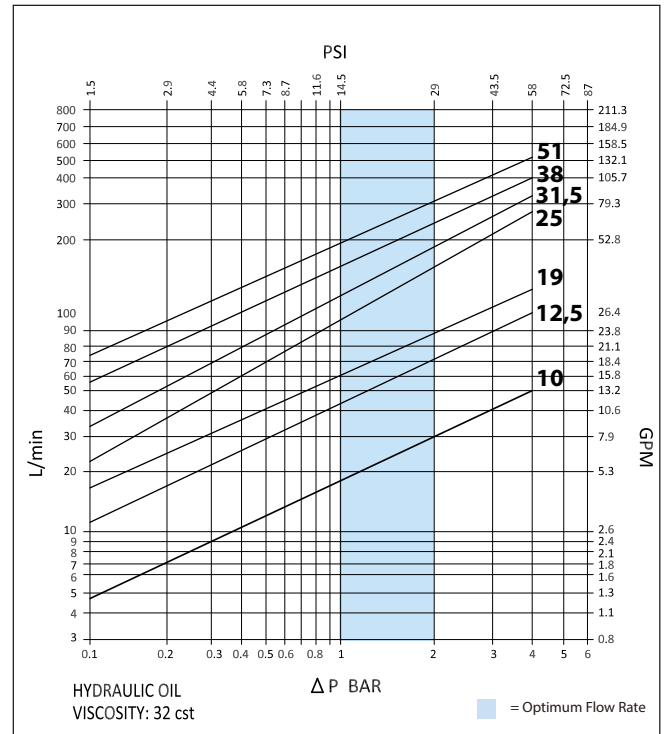
Product Number Naming Rules



Drawing



Pressure Drop Characteristics



Size	Thread Size (A)	B	C	D	ØE	F	G	ØH	ØI	ØJ	Maximum Working Pressure	Burst Pressure (coupled)	Burst Pressure (Male)	Burst Pressure (Female)
Dimensions in mm											Bar			
Dimensions in inches											Psi			
HSC-10	3/8"	22	22	77	35.5	57	112	30	49	22	500	2000	2000	2000
		0.9	0.9	3	1.4	2.2	4.4	1.2	1.9	0.9	7250	29000	29000	29000
HSC-12,5	1/2"	26	26	95	39.5	70.5	135	35	55	26	450	1800	1800	1800
		1	1	3.7	1.6	2.8	5.3	1.4	2.2	1	6525	26100	26100	26100
HSC-19	3/4"	30	30	99.5	44.5	73	142	40	60.5	28	400	1600	1600	1600
		1.2	1.2	3.9	1.8	2.9	5.6	1.6	2.4	1.1	5800	23200	23200	23200
HSC-25	1"	40	40	106	58	81.5	157.5	52	77	38	350	1400	1400	1400
		1.6	1.6	4.2	2.3	3.2	6.2	2	3	1.5	5075	20300	20300	20300
HSC-31,5	1 1/4"	48	48	118	65.5	88	171.5	60	88	47.5	320	1280	1280	1280
		1.9	1.9	4.6	2.6	3.5	6.8	2.4	3.5	1.9	4640	18560	18560	18560
HSC-38	1 1/2"	55	55	121	74.5	90	176	68	93	57	300	1200	1200	1200
		2.2	2.2	4.8	2.9	3.5	6.9	2.7	3.7	2.2	4350	17400	17400	17400
HSC-51	2"	76	76	165	108	120	240	90.5	144	75	250	250	250	250
		3	3	6.5	4.3	4.7	9.4	3.6	5.7	3	3625	3625	3625	3625