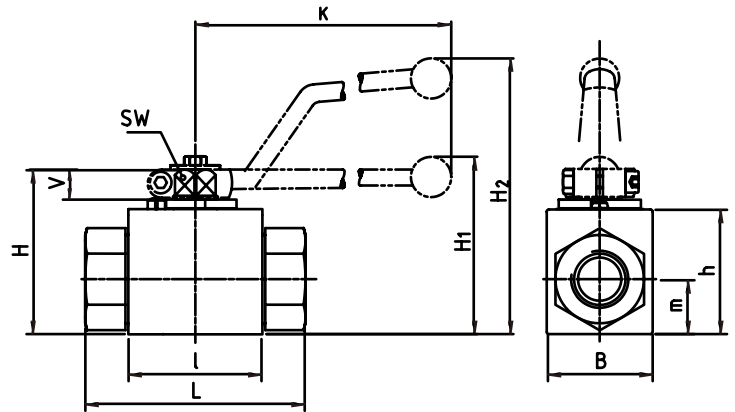


# KHB Series

## Two-Way High-Pressure Block Body Ball Valve



### General Dimensions

Order Code	l	B	H	h	m	V	SW	K	H <sub>1</sub>	H <sub>2</sub>
KHB-DN4	40	26	47	33	13.5	11	9	115	-	82
KHB-DN6	40	26	47	33	13.5	11	9	115	-	82
KHB-DN8	40	26	47	33	13.5	11	9	115	-	82
KHB-DN10	43	32	52	38	17.5	11	9	115	-	86
KHB-DN13	48	35	54	40	19	11	9	115	-	89
KHB-DN16	48	38	63	46	19	13	12	160	-	106
KHB-DN20	62	49	75	57	24.5	14	14	200	79	-
KHB-DN25	66	58	83	65	29.5	14	14	200	87	-

### Material Code

Body Material	1 = Steel 3 = Stainless Steel
Ball	1 = Steel 3 = Stainless Steel
ball seals	1 = POM 3 = PTFE 8 = PEEK
control spindle seal connection seal	2 = NBR 3 = PTFE 4 = FKM
Handle	09x = Without Handle 11x = Straight Aluminum

### Order Code

**KHB-DN4 - G1/8 - 1114 - 09x**

①    ②    ③    ④    ⑤

- ① Series - KHB
- ② Normal Size
- ③ Thread and Size
- ④ Material Code
- ⑤ Handle Code

# KHB Series

Threads	Dimensions(mm)					Weight (kg)	PN (bar)
ISO228-1BSPP Female Thread	Order Code	LW	L	i	d		
	KHB-DN4-G1/8	5	69	10	G1/8	0.41	500
	KHB-DN6-G1/4	6	69	14	G1/4	0.40	500
	KHB-DN10-G3/8	10	72	14	G3/8	0.54	500
	KHB-DN13-G1/2	13	83	16.3	G1/2	0.65	500
	KHB-DN16-G5/8	15	83	16	G5/8	0.70	420
	KHB-DN20-G3/4	20	95	18	G3/4	1.50	420
	KHB-DN25-G1	25	113	20	G1	2.20	315

Threads	Dimensions(mm)					Weight (kg)	PN (bar)
ANSI B1.20.1 NPT Female Thread	Order Code	LW	L	i	d		
	KHB-DN4-NPT1/8	5	69	10.5	NPT 1/8"	0.30	500
	KHB-DN6-NPT1/4	6	69	13.7	NPT 1/4"	0.40	500
	KHB-DN10-NPT3/8	10	72	13.5	NPT 3/8"	0.55	500
	KHB-DN13-NPT1/2	13	83	17	NPT 1/2"	0.75	500
	KHB-DN20-NPT3/4	20	95	18.3	NPT 3/4"	1.63	420
	KHB-DN25-NPT1	25	113	21.6	NPT 1"	2.30	315

Threads	Dimensions(mm)						Weight (kg)	PN (bar)
ISO8434-1-L Male Thread	Order Code	LW	RA	L	i	d		
	KHB-DN4-6L	5	6	67	7	M12x1.5	0.36	500
	KHB-DN6-8L	6	8	67	7	M14x1.5	0.37	500
	KHB-DN8-10L	8	10	74	7	M16x1.5	0.38	500
	KHB-DN10-12L	10	12	74	7	M18x1.5	0.50	500
	KHB-DN13-15L	13	15	82	7	M22x1.5	0.61	500
	KHB-DN13-18L	13	18	82	7.5	M26x1.5	0.60	500
	KHB-DN16-18L	15	18	82	7.5	M26x1.5	0.75	420
	KHB-DN20-22L	20	22	101	7.5	M30x2	1.49	420
	KHB-DN25-28L	25	28	108	7.5	M36x2	2.00	315

# KHB Series

Threads	Dimensions(mm)						Weight (kg)	PN (bar)
ISO8434-1-5 Male Thread	Order Code	LW	RA	L	i	d		
	KHB-DN4-8S	5	8	73	7	M16x1.5	0.38	500
	KHB-DN6-10S	6	10	73	7.5	M18x1.5	0.39	500
	KHB-DN8-12S	8	12	76	7.5	M20x1.5	0.39	500
	KHB-DN10-14S	10	14	80	8	M22x1.5	0.50	500
	KHB-DN13-16S	13	16	86	8.5	M24x1.5	0.60	500
	KHB-DN13-20S	13	20	90	10.5	M30x2	0.60	500
	KHB-DN16-20S	15	20	90	10.5	M30x2	0.80	420
	KHB-DN20-25S	20	25	109	12	M36x2	1.55	420
	KHB-DN25-30S	25	30	120	13.5	M42x2	2.10	315

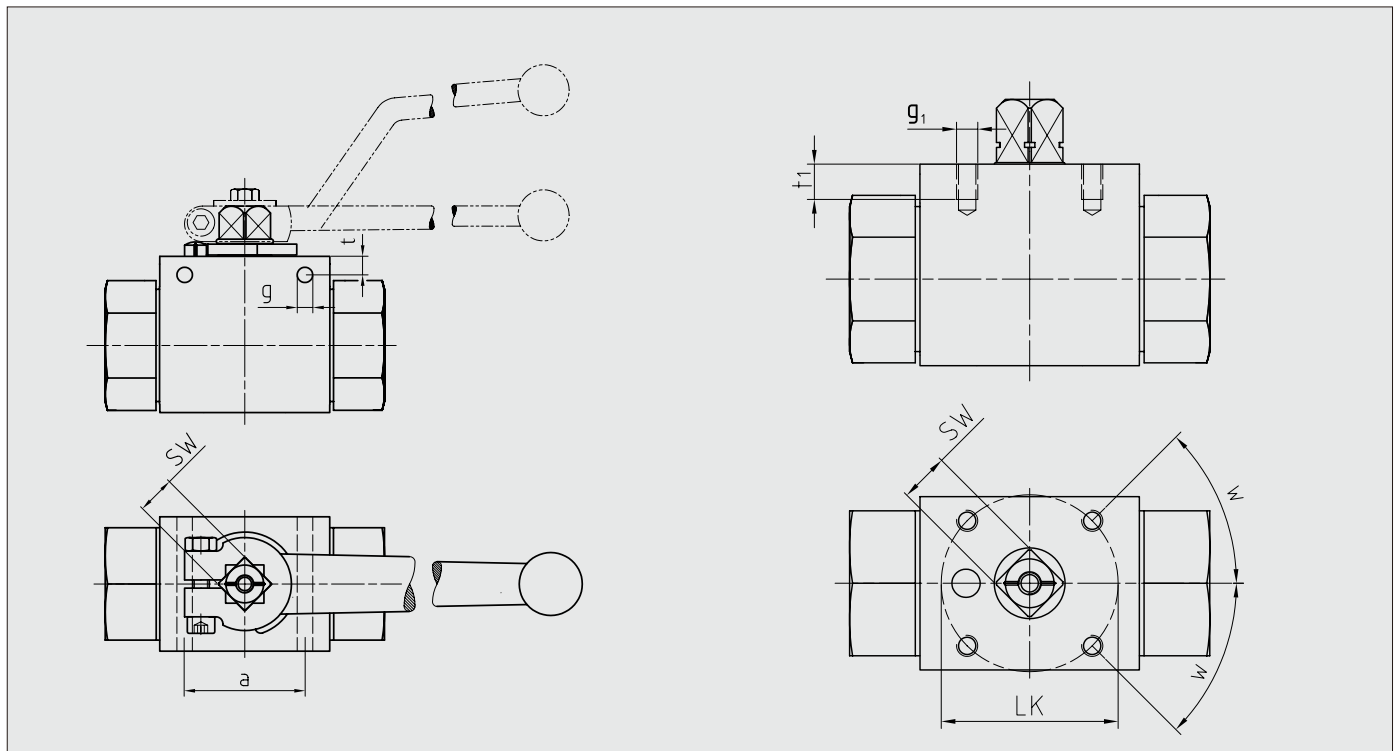
Threads	5Dimensions(mm)					Weight (kg)	PN (bar)
SAE J514/11926-1 Female Thread	Order Code	LW	L	i	d		
	KHB-DN6-7/16 UNF	5	69	12	7/16-20 UNF	0.40	500
	KHB-DN10-9/16 UNF	10	72	13	3/16-18 UNF	0.50	500
	KHB-DN13-3/4 UNF	13	83	15	3/4-16 UNF	0.70	500
	KHB-DN20-1 1/16 UN	20	95	20	1 1/16-12 UN	1.55	420
	KHB-DN25-1 5/16 UN	25	113	20	1 5/16-12 UN	2.20	315
	KHB-DN25-1 5/16 UN	25	121	20	1 5/16-12 UN	3.06	420

Threads	Dimensions(mm)					Weight (kg)	PN (bar)
ISO 7/1 RC Female Thread	Order Code	LW	L	i	d		
	KHB-DN4-Rc 1/8	5	69	7.4	Rc 1/8"	0.40	500
	KHB-DN6-Rc 1/4	6	69	11	Rc 1/4"	0.39	500
	KHB-DN10-Rc 3/8	10	72	11.4	Rc 3/8"	0.55	500
	KHB-DN13-Rc 1/2	13	83	15	Rc 1/2"	0.64	500
	KHB-DN20-Rc 3/4	20	95	16.3	Rc 3/4"	1.59	420
	KHB-DN25-Rc 1	25	113	19	Rc 1"	2.30	315

# KHB Series

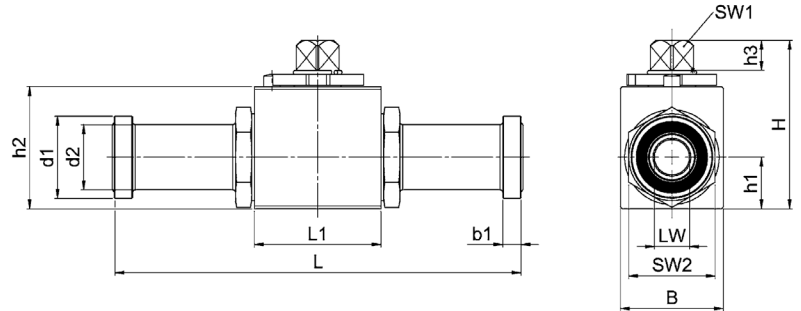
Threads	Dimensions(mm)					O-Ring	Weight (kg)	PN (bar)
ISO 8438-3 ORFS Male Thread	Order Code	LW	L	D	d			
	KHB-DN8-11/16 ORFS	6.5	73	12.6	11/16"-16 UN	9.25x1.78	0.40	500
	KHB-DN10-13/16 ORFS	9.5	80	15.77	13/16"-16 UN	12.42x1.78	0.39	500
	KHB-DN13-1 ORFS	12.5	90	19	1"-14 UNS	15.6x1.78	0.55	500
	KHB-DN16-1 3/16 ORFS	15	98	22.17	1 3/16"-12 UN	18.77x1.78	0.64	500
	KHB-DN20-1 7/16 ORFS	20	111	26.87	1 7/16"-12 UN	23.52x1.78	1.59	420
	KHB-DN25-1 1 1/16 ORFS	25	120	33.25	1 1/16"-12 UN	29.87x1.78	2.30	315

## Assembling Holes and Threads



DN	SW	a	g	t	LK	g <sub>1</sub>	t <sub>1</sub>	w
4	9	31	4.3	4.5	36	M5	6	30°
6	9	31	4.3	4.5	36	M5	6	30°
10	9	32	4.3	4	36	M5	7	45°
13	9	32	4.3	4	36	M5	6	45°
16	12	32	5.2	6	42	M5	8	45°
20	14	44	6.2	6	50	M6	10	45°
25	14	44	6.3	6	50	M6	10	45°

# KHB Series



## General Dimensions

Order Code	DN	LW	L	L <sub>1</sub>	H	h <sub>1</sub>	h <sub>2</sub>	h <sub>3</sub>	B	b <sub>1</sub>	d <sub>1</sub>	d <sub>2</sub>	SW1	SW2	O-ring
KHB-DN16-F3	16	16	170	47	62	19	45	11	38	6.8	38.1	31.5	12	32	25x3.53
KHB-DN20-F3	20	19	170	60	75	24.5	57	11.6	48	6.8	38.1	31.5	14	41	25x3.53
KHB-DN25-F3	25	25	176.5	65	82	28.5	64	11.6	57	8	44.45	38	14	50	32.92x3.53

## Material Code

Body Material	1 = Steel 3 = Stainless Steel
Ball	1 = Steel 3 = Stainless Steel
ball seals	1 = POM 3 = PTFE 8 = PEEK
control spindle seal connection seal	2 = NBR 3 = PTFE 4 = FKM
Handle	09x = Without Handle 11x = Straight Aluminum

## Order Code

**KHB-DN16 - F3 - 1114 - 09x**

①    ②    ③    ④    ⑤

- ① Series - KHB
- ② Normal Size
- ③ Flanges Size
- ④ Material Code
- ⑤ Handle Code