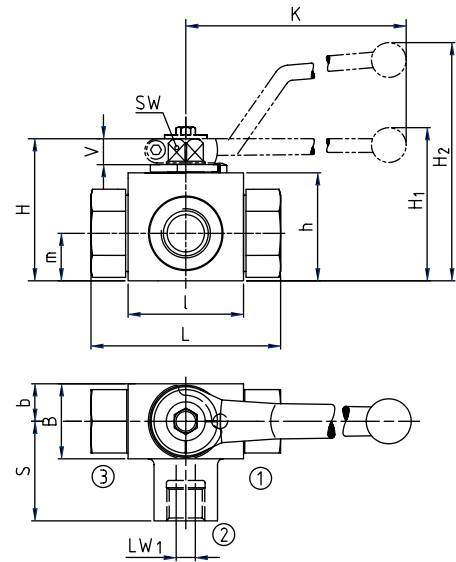


KHB3K Series

Three-Way High-Pressure Block Body Ball Valve



General Dimensions

Order Code	l	b	B	H	h	m	V	SW	K	H ₁	H ₂
KHB3K-DN4	40	13	29	47	33	13.5	11	9	115	-	82
KHB3K-DN6	40	13	29	47	33	13.5	11	9	115	-	82
KHB3K-DN8	40	13	29	47	33	13.5	11	9	115	-	82
KHB3K-DN10	43	16	35	52	38	17.5	11	9	115	-	86
KHB3K-DN13	48	17.5	38	54	40	19	11	9	115	-	89
KHB3K-DN20	62	24.5	52	75	57	24.5	14	14	200	79	-
KHB3K-DN25	66	29	61	83	65	29.5	14	14	200	87	-
KHB3K-DN32	81	39	-	106	84.5	39	16.5	17	320	115	-
KHB3K-DN40	104	53	-	127	106	53	16.5	17	320	136	-
KHB3K-DN50	118	58	116	137	116	58	16.5	17	320	146	-

Material Code

Body Material	1 = Steel 3 = Stainless Steel
Ball	1 = Steel 3 = Stainless Steel
ball seals	1 = POM 3 = PTFE 8 = PEEK
control spindle seal connection seal	2 = NBR 3 = PTFE 4 = FKM
Handle	09x = Without Handle 11x = Straight Aluminum

Order Code

KHB3K-DN4 - G1/8 - 1114 - 09x

① ② ③ ④ ⑤

- ① Series - KHB3K
- ② Normal Size
- ③ Thread and Size
- ④ Material Code
- ⑤ Handle Code

KHB3K Series

Threads	Dimensions(mm)							Weight (kg)	PN (bar)
ISO228-1BSPP Female Thread	Order Code	LW	L	S	LW ₁	i	d		
	KHB3K-DN4-G1/8	5	69	34.5	4	10	G1/8	0.40	500
	KHB3K-DN6-G1/4	6	69	34.5	6	14	G1/4	0.46	500
	KHB3K-DN10-G3/8	10	72	36	10	14	G3/8	0.60	500
	KHB3K-DN13-G1/2	13	83	41.5	13	16.3	G1/2	0.70	500
	KHB3K-DN13-G5/8	15	83	41.5	13	16	G5/8	0.70	500
	KHB3K-DN20-G3/4	20	95	47.5	20	18	G3/4	1.80	315
	KHB3K-DN25-G1	25	113	56.5	25	20	G1	2.40	315
	KHB3K-DN32-G1 1/4	30	111	55	30	22	G1 1/4	4.80	350
	KHB3K-DN40-G1 1/2	38	130	65	38	24	G1 1/2	8.90	350
	KHB3K-DN50-G2	48	150	75	48	26	G2	12.40	350

Threads	Dimensions(mm)							Weight (kg)	PN (bar)
ANSI B1.20.1 NPT Female Thread	Order Code	LW	L	S	LW ₁	i	d		
	KHB3K-DN4-NPT1/8"	5	69	34.5	4	10.5	NPT 1/8"	0.40	500
	KHB3K-DN6-NPT1/4"	6	69	34.5	6	13.7	NPT 1/4"	0.46	500
	KHB3K-DN10-NPT3/8"	10	72	36	10	13.5	NPT 3/8"	0.60	500
	KHB3K-DN13-NPT1/2"	13	83	41.5	13	17	NPT 1/2"	0.70	500
	KHB3K-DN20-NPT3/4"	20	95	47.5	20	18.3	NPT 3/4"	1.80	315
	KHB3K-DN25-NPT1"	25	113	56.5	25	21.6	NPT 1"	2.40	315
	KHB3K-DN32-NPT1 1/4"	30	120	60	30	22.1	NPT 1 1/4"	5.24	350
	KHB3K-DN40-NPT1 1/2"	38	140	70	38	22.1	NPT 1 1/2"	10.00	350
	KHB3K-DN50-NPT2"	48	150	75	48	30.2	NPT 2"	12.20	350